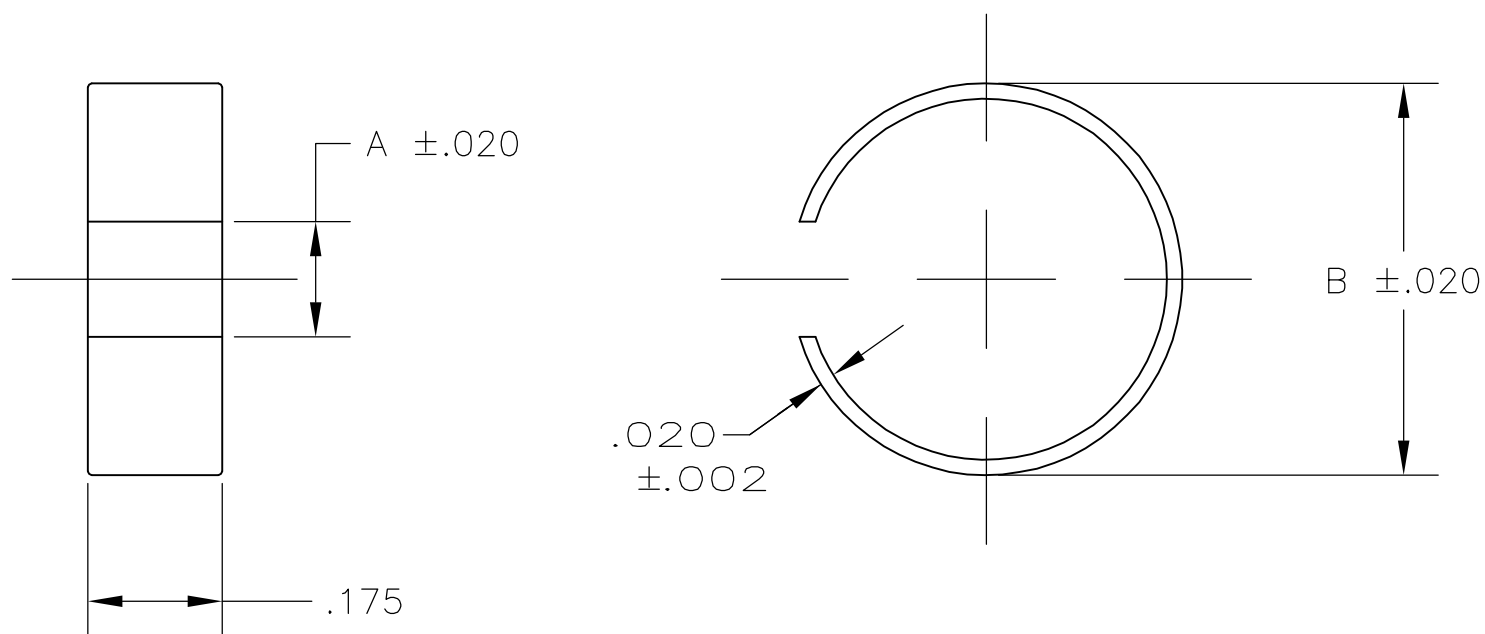


THIS DRAWING IS UNPUBLISHED. RELEASED FOR PUBLICATION
 © COPYRIGHT - BY TYCO ELECTRONICS CORPORATION. ALL RIGHTS RESERVED.

LOC	DIST	REVISIONS					
GP	00	P	LTR	DESCRIPTION	DATE	DWN	APVD
			C	REVISED PER ECO-06-021496	10NOV06	JDP	CWR

FERRULE SELECTION PROCEDURE:

- A. SELECT THE DESIRED CABLE CLAMP FROM ANY OF THE FOLLOWING DRAWINGS:
 5745171, 5745172, 5745173, 5745174, 5745175, 5745854, 5747099,
 5745833, 5747100, 5747098, 5745919, 5745652, 5745653
- B. VERIFY THAT THE CHOSEN CABLE CLAMP IS AVAILABLE.
- C. SELECT A SPLIT RING FERRULE PART NUMBER TO MATCH THE CABLE CLAMP SIZE AND CABLE DIAMETER TO BE USED.
- D. SEE INNER FERRULES ON DRAWING 745129 FOR ADDITIONAL OPTIONS.



5	.710-.750	0.790	0.220	1-745508-2
4, 5	.635-.675	0.690	0.200	1-745508-1
4, 5	.560-.600	0.620	0.180	1-745508-0
3, 5	.490-.530	0.550	0.180	745508-9
3, 4	.460-.500	0.510	0.150	745508-8
5	.410-.450	0.470	0.150	745508-7
1, 2, 5	.335-.375	0.390	0.130	745508-6
3, 4	.310-.350	0.370	0.120	745508-5
2, 3	.260-.300	0.310	0.100	745508-4
1, 2	.185-.225	0.260	0.080	745508-3
1	.160-.200	0.220	0.060	745508-2
2, 3, 4	.390-.430	0.450	0.150	745508-1
FOR CABLE CLAMP SIZE(S)	CABLE DIA RANGE	B	A	PART NUMBER

THIS DRAWING IS A CONTROLLED DOCUMENT.		DWN B. MCMASTER 12MAR04	Tyco Electronics Corporation Harrisburg, PA 17105-3608													
DIMENSIONS: INCHES		CHK C. ROHDE 12MAR04														
TOLERANCES UNLESS OTHERWISE SPECIFIED:		APVD M. WALMSLEY 12MAR04	NAME FERRULE, CABLE CLAMP, SPLIT RING													
<table border="0"> <tr> <td>0 PLC</td> <td>± -</td> </tr> <tr> <td>1 PLC</td> <td>± -</td> </tr> <tr> <td>2 PLC</td> <td>± -</td> </tr> <tr> <td>3 PLC</td> <td>± .010</td> </tr> <tr> <td>4 PLC</td> <td>± -</td> </tr> <tr> <td>ANGLES</td> <td>± -</td> </tr> </table>		0 PLC	± -	1 PLC	± -	2 PLC	± -	3 PLC	± .010	4 PLC	± -	ANGLES	± -	PRODUCT SPEC -	RESTRICTED TO -	
0 PLC	± -															
1 PLC	± -															
2 PLC	± -															
3 PLC	± .010															
4 PLC	± -															
ANGLES	± -															
MATERIAL ALUMINUM		FINISH -	WEIGHT -	SIZE A3	CAGE CODE 00779	DRAWING NO C-745508										
CUSTOMER DRAWING			SCALE 4:1	SHEET 1 OF 1	REV C											